

Configuring Your Phone

Configuring via web user interface

Accessing the web user interface:

1. Press the **OK** key when the phone is idle to get the IP address of the phone.
2. Open the web browser on your computer, enter the IP address into the address bar (e.g., "http://192.168.0.10" or "192.168.0.10") and press **Enter**.
3. Enter the user name (default: admin) and password (default: admin) in the login page and click **Confirm**.

Note: Please locate your computer in the same network segment of the IP phone (192.168.0.X) to access the web user interface. Contact your system administrator for more information.

Network Settings: Click on **Network->Basic->IPv4 Config**

You can configure the network in the following ways:

DHCP: By default, the phone attempts to contact a DHCP server in your network to obtain its valid network settings, e.g., IP address, subnet mask, gateway address and DNS address.

Static IP Address: If your phone cannot contact a DHCP server for any reason, you need to configure IP address, subnet mask, gateway address, primary DNS address and secondary DNS address for the phone manually.

PPPoE: If you are using an xDSL modem, you can connect your phone to the Internet via PPPoE mode. Contact the ITSP for the PPPoE user name and password.

Note: The wrong network settings may result in inaccessibility of your phone and may have an impact on the network performance. Contact your system administrator for more information.

Account Settings: Click on **Account->Register->Account X (X=1,2,3,4,5,6)**

Parameters of the account:

Register Status:	It shows the register status of the current account.
Line Active:	You can select Enabled/Disabled to enable/disable the account.
Label:	It is shown on the LCD to identify the account.
Display Name:	It is shown as caller ID when placing a call.
User Name:	It is provided by ITSP for registration (required).
Register Name:	It is an authenticated ID for authentication provided by ITSP (required).
Password:	It is provided by ITSP for registration (required).
Server Host:	It is provided by ITSP for registration (required).

Register status icons on the LCD screen:



Registered



Register Failed



Registering

Note: Check with your system administrator if any error appears during the registration process or a specific configuration is required for your registration.

Configuring via phone user interface

Network Settings:

Press the **Menu** soft key when the phone is idle, select **Settings->Advanced Settings (password:admin)** -> **Network->WAN Port/PC Port/VLAN/Webserver Type/802.1x Settings/VPN** to configure the network.

Account Settings:

Press the **Menu** soft key when the phone is idle, select **Settings->Advanced Settings (password:admin)** -> **Accounts** to configure the account.

Note: For more information on account parameters, refer to **Configuring via web user interface**.

For more information, refer to the User Guide available online:
http://www.yealink.com/SupportDownloadfiles_detail.aspx?Catelid=184&flag=142
Copyright © 2014 YEALINK NETWORK TECHNOLOGY CO.,LTD.

Yealink

EASY VoIP

Enterprise IP Phone SIP-T28P



Quick Installation Guide

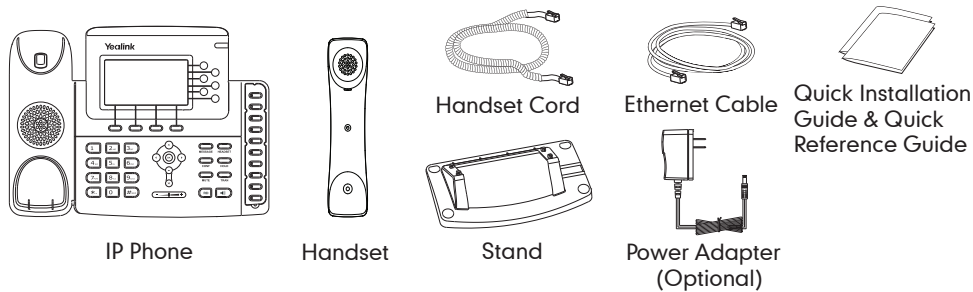


www.yealink.com

Applies to firmware version 72.1 or later.

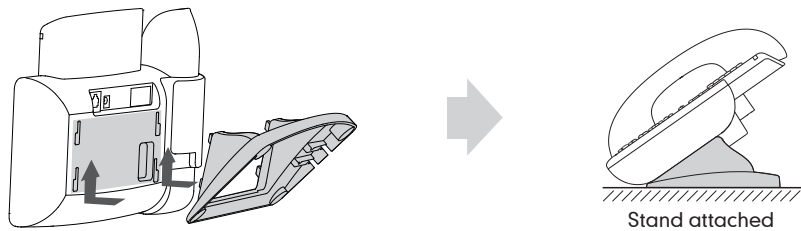
Packaging Contents

The following items are included in your package. If you find anything missing, contact your system administrator.

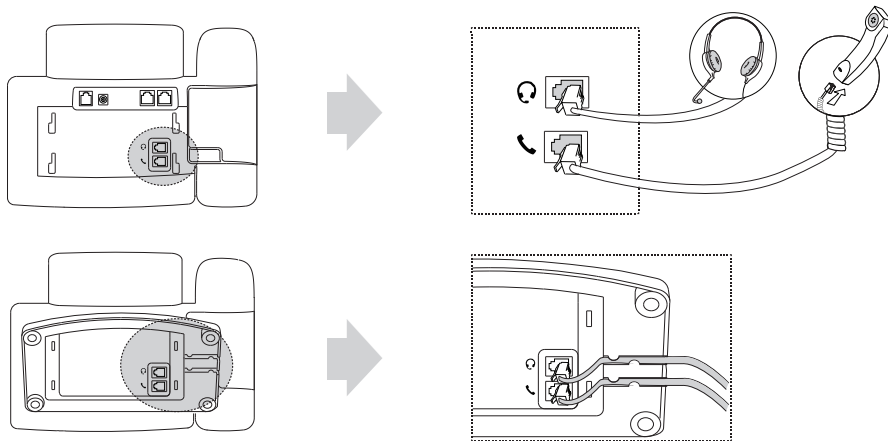


Assembling the Phone

1. Attach the stand, as shown below:



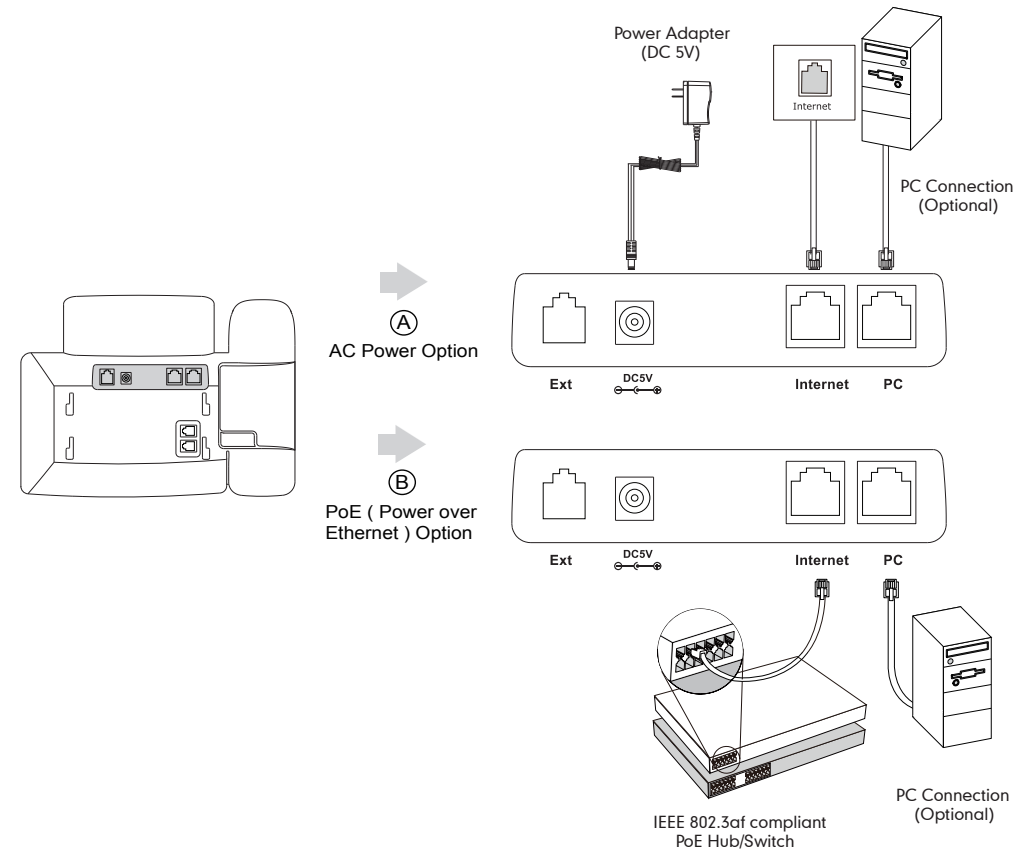
2. Connect the handset and optional headset, as shown below:



Note: The headset should be purchased separately.

3. Connect the network and power, as shown below:

You have two options for network and power connections. Your system administrator will advise you on which one to use.



Note: If inline power (PoE) is provided, you do not need to connect the power adapter. Make sure the Ethernet cable and hub/switch are PoE compliant.

Startup

After the IP phone is connected to the network and supplied with power, it automatically begins the initialization process. After startup, the phone is ready for use. You can configure the phone via web user interface or phone user interface.

